

黑龙江美凯伟业贸易有限公司

Heilongjiang Mei Kai Wei Ye Trade Co., Limited

Каталог крепежной продукции



XL-FC01



XL-FC02



XL-FC03



XL-FC04



XL-FC05



XL-FC06



XL-FC07



XL-FC08



XL-FB01

XL-FB02

XL-FB03



XL-FB04

XL-FB05

XL-FB06



XL-FB07

XL-FB08

XL-FB09



XL-FB10

XL-FB11

XL-FB12



XL-FB13

XL-FB14

XL-FB15



XL-FB16

XL-FB17



XL-FB18

XL-FB19



XL-FB20

XL-FB21



XL-FB22



XL-FB23



XL-FB24



XL-FB25



XL-FE01



XL-FE02



XL-FE03



XL-FE04



XL-FE05



XL-FE06



XL-FE07



XL-FE08



XL-FE09



XL-FE10



XL-FE11



XL-FE12



XL-FE13



XL-FS01



XL-FS02



XL-FS03



XL-FS04



XL-FS05



XL-FS06



XL-FS09



XL-FS07



XL-FS08



XL-FS10



XL-FK01



XL-FK02



XL-FK03



XL-FK04



XL-FR01



XL-FR02



XL-FR03



XL-FR04



XL-FR05





XL-B01



XL-B02



XL-B03



XL-B04



XL-B05



XL-B06



XL-B07



XL-B08



XL-B09



XL-B10



XL-B11



XL-B12



XL-B13



XL-B14



XL-B15



XL-B16



XL-B17



XL-B18



XL-B19

XL-B20

XL-B21



XL-B22

XL-B23

XL-B24



XL-B25

XL-B26

XL-B27



XL-B28

XL-B29

XL-B30



XL-B31

XL-B32

XL-ST01

XL-ST02



XL-ST03

XL-ST04

XL-ST05

XL-ST06



XL-ST07

XL-ST08

XL-ST09

XL-ST10



XL-ST11

XL-ST12

XL-ST13



XL-H01



XL-H02



XL-H03



XL-H04



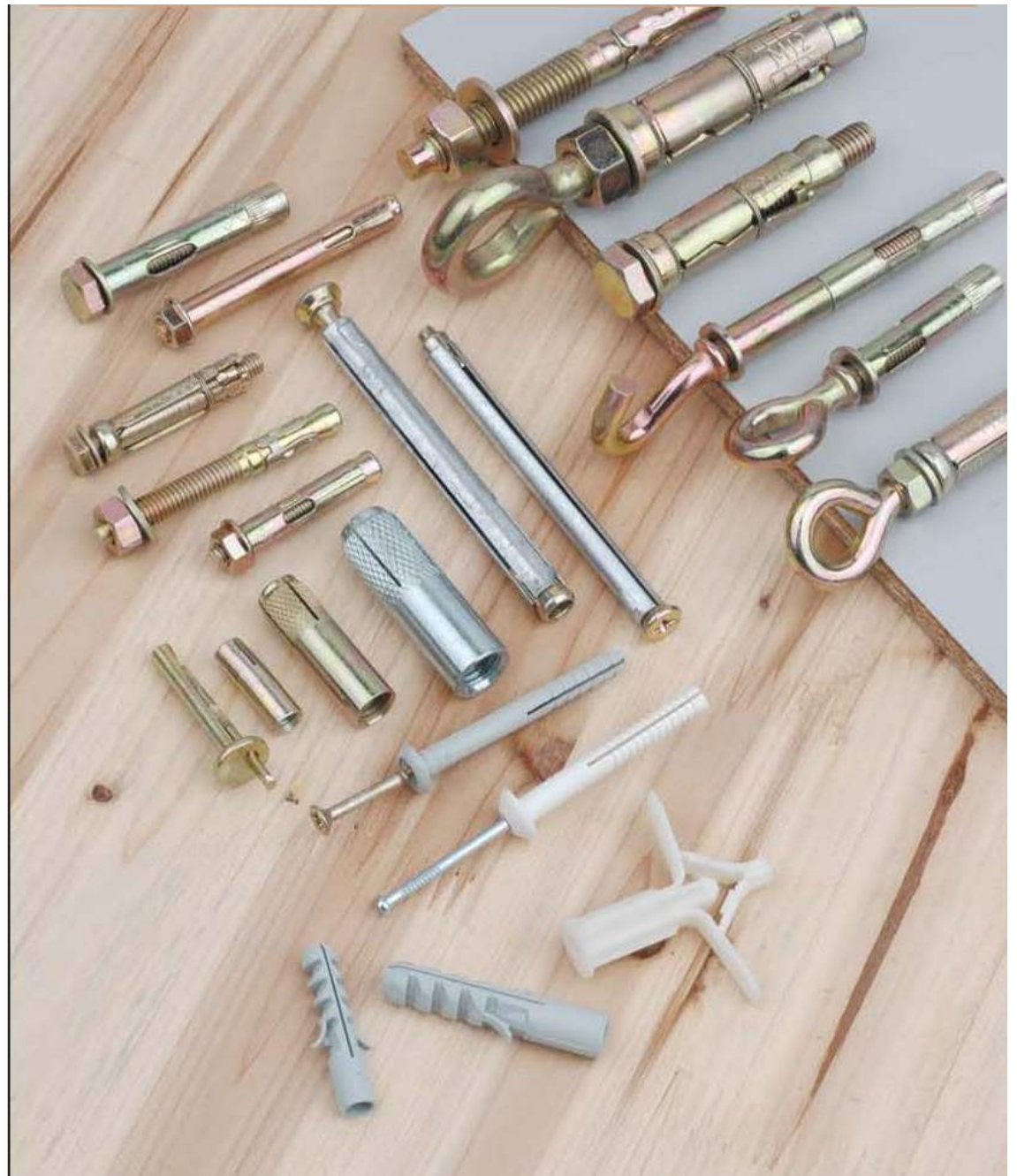
XL-H05



XL-H06



XL-H07





XL-SA01

XL-SA02

XL-SA03



XL-SA04

XL-SA05

XL-SA06



XL-SA07

XL-SA08

XL-SA09



XL-SA10

XL-SA11

XL-SA12



XL-SA13

XL-SA14

XL-SA15



XL-SA16

XL-SA17

XL-SA18



XL-SA19

XL-SA20

XL-SA21



XL-SA22

XL-SA23



XL-SS01



XL-SS02



XL-SS03



XL-SS04



XL-SS05



XL-SS06



XL-SS07



XL-SS08



XL-SS09



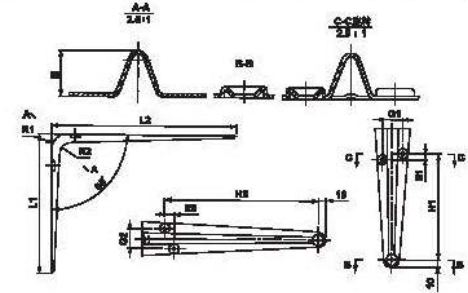
L1	75	100	125	150	200	250	300
L2	100	125	150	200	250	300	350
R1	12	12	12.5	17	1.6	84	24
R2	10	12	12.5	14	1.4	18	17.5
R3	8	8	8	10	1.2	12	12
R4	15	18	20	20	22	27	28
R5	60	75	100	115	155	205	250
R6	8	8	8	10	1.2	12	12
R7	15	18	20	20	22	27	28
R8	75	100	125	150	200	250	300
M	10	1.5	17	20	23	24.5	27



L1	75	100	125	150	200	250	300
L2	100	125	150	200	250	300	350
R1	12	12	12	17	1.6	20	24
R2	10	12	12	14	1.4	20	24
R3	8	8	8	10	1.2	12	12
R4	15	18	20	20	22	27	30
R5	60	75	100	115	155	205	250
R6	8	8	8	10	1.2	12	12
R7	15	18	20	20	22	27	30
R8	75	100	125	150	200	250	300
M	10	12.5	13	14	1.6	19	20

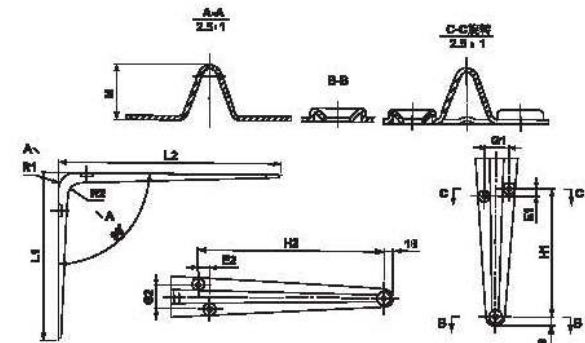
XL-FA01 Deep recess shelf bracket

规格(深)	净重(g)	厚度(mm)	体积CM
3x4	27	0.8	29x24x23.5 CM (12对打)
4x5	43	0.8	37x25.5x30 CM (12对打)
5x6	58	0.8	41x25.5x30 CM (12对打)
6x8	85	0.8	46x30x30 CM (12对打)
8x10	135	0.9	58x35.5x27 CM (10对打)
10x12	187	1.0	41.5x36x29 CM (5对打)
12x14	282	1.0	44.5x41x31 CM (5对打)



XL-FA02 Light recess shelf bracket

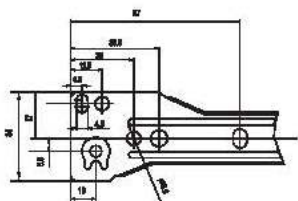
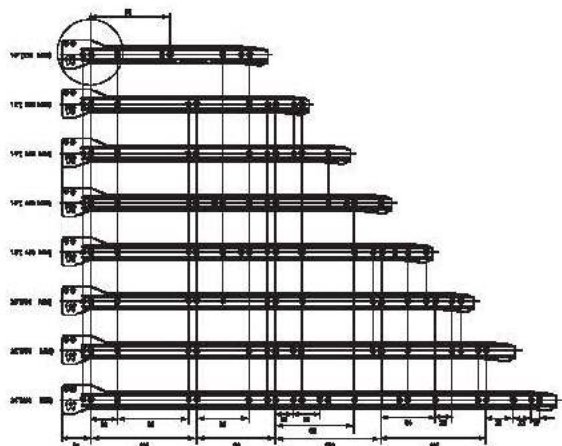
规格	重量(g/只)	厚度(mm)	体积CM
3x4	21	0.6	27x22x23.5 CM (12对打)
4x5	29	0.6	35x23.5x28 CM (12对打)
5x6	37	0.6	39x23.5x28 CM (12对打)
6x8	58	0.7	44x28x28 CM (12对打)
8x10	95	0.7	56x33.5x23.5 CM (10对打)
10x12	152	0.8	39.5x34x27 CM (5对打)
12x14	171	0.8	42.5x39x29 CM (5对打)





XL-FA03

XL-FA04



规格 Size	厚度 (mm) Thickness	净重/付 (g) Net Wt./Set	件数/25付 Measurement (CM)
10寸 (250mm)	0.8	225	25*18*13
12寸 (300mm)	0.8	265	31*18*13
14寸 (350mm)	0.8	305	38*18*13
16寸 (400mm)	0.8	345	41*18*13
18寸 (450mm)	0.8	385	48*18*13
20寸 (500mm)	0.8	425	51*18*13
22寸 (550mm)	0.8	465	58*18*13
24寸 (600mm)	0.8	505	61*18*13

规格 Size	厚度 (mm) Thickness	净重/付 (g) Net Wt./Set	件数/25付 Measurement (CM)
10寸 (250mm)	0.9	265	25*18*13
12寸 (300mm)	0.9	305	31*18*13
14寸 (350mm)	0.9	345	38*18*13
16寸 (400mm)	0.9	385	41*18*13
18寸 (450mm)	0.9	425	48*18*13
20寸 (500mm)	0.9	465	51*18*13
22寸 (550mm)	0.9	505	58*18*13
24寸 (600mm)	0.9	545	61*18*13



XL-FA05



XL-FA06



XL-FA07



XL-FA08



XL-FA09



XL-FA10



XL-FA11



XL-FA12



XL-FA13



XL-FA14



XL-FA15



XL-FA16



XL-FA17



XL-FA18



XL-FA19



XL-FA20



XL-FA21



XL-FA22



XL-FA23



XL-W01
DIN9021



XL-W02
DIN125



XL-W03



XL-W04



XL-W05
DIN7989



XL-W06
DIN436



XL-W07



XL-W08



XL-W09



XL-W10
DIN6798A



XL-N01



XL-N02



XL-N03



XL-N04



XL-N05



XL-N06



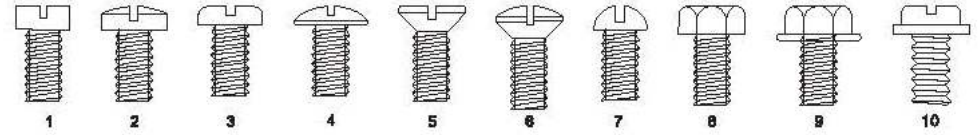
XL-N07



XL-N08

TYPES OF HEADS

螺丝头型



- | | | |
|------------------|-------------------------|-------------|
| 1. CHEESE 圆柱头 | 3. PAN 平元头 | 5. FLAT 沉头 |
| 2. BINDING 球面中柱头 | 4. TRUSS 扁圆头 | 6. OVAL 半沉头 |
| 7. ROUND 半圆头 | 9. HEXAGON WASHER 六角垫圈头 | |
| 8. HEXAGON 六角头 | 10. PAN WASHER 平元垫圈头 | |

TYPES OF DRIVE INSERTS

螺丝槽型

